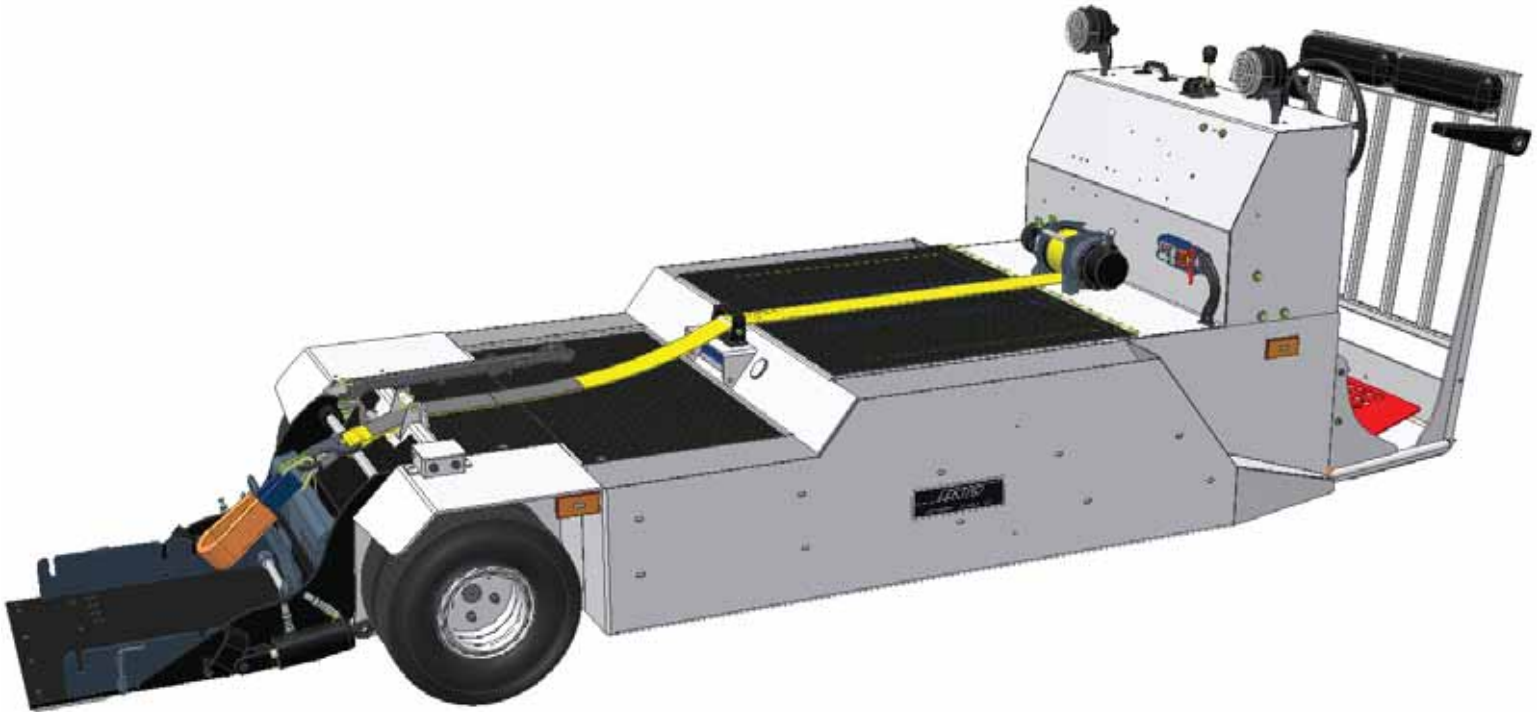


# LEKTRO

1190 S.E. Flightline Drive, Warrenton, Oregon 97146-9692  
1-800-535-8767 • 503-861-2288 • Fax 503-861-2283  
E-mail: sales@lektro.com  
http://www.lektro.com

## Model AP8750C-EZ AIRCRAFT TOWING VEHICLE FOR AIRCRAFT UP TO 70,000 LBS/31,752 KG



### AP8750C-EZ FEATURES:

**Vehicle Drive:** Heavy-duty 9 inch frame, 72-volt D.C. Traction Motor coupled to a heavy-duty Dana 44 Limited Slip Differential.

**Motor Speed Control:** State of the art General Electric EV-100 LXT Electronic Speed Control with on-board trouble shooting diagnostics. Speed controlled by combination Hand Throttle/Directional Lever.

**Batteries:** Twelve-6 volt, 350 ampere hour Batteries (20 hr. rate), wired in series. Additional Battery options available, (consult factory).

**G.P.U.:** Variety of GPU options available, (consult factory).

**Battery Charger:** Fully automatic 40 ampere D.C., 220-volt A.C., 50/60hz, Single Phase Charger, standard.

**Nose Gear Lift Cradle:** Lektro's patented Universal Nose Gear Lift Cradle is activated by an Electric/Hydraulic pump assembly with dual cylinders, and is capable of handling dual and single wheel aircraft. A hold down provision for light-nosed aircraft as well as Wheel Faring package, Optional.

**Winch:** Heavy-duty Hydraulic Winch with automatic safety cut-off. Winch Strap and universal Strut Strap included.

**Steering:** Automotive-type wheel coupled to an automotive gear box resulting in very responsive steering action.

**Service Brakes:** Foot operated dual independent hydraulic disc-type Service Brakes at each drive wheel.

**Parking Brake:** Foot operated Automatic Deadman Parking Brake.

**Front Drive Tires:** Dual 5.00 x 8 8-ply Pneumatic Highway Drive Tires. Traction Tires and Chains optional for slippery conditions. Poly-foam filled tires available.

**Rear Steer Tires:** Dual 5.00 x 8 10-ply Pneumatic Traction Steer Tires. Poly-foam filled tires available. Steer Axle Suspension, Optional.

**Lighting:** Single 360 degree Rotating Headlight. Dual Headlights, Optional. Five amber Reflectors positioned around tug to illuminate sides and rear. Flashing Running Lights, Optional.

**Extension Ladder:** Four-step Ladder attached to operator's back rest is optional.

**Operator's Compartment:** Two person configuration, stand-up operation with restraint.

**Construction:** Welded steel plate polymers, protected by primer and industrial, high-gloss red urethane paint. A special protective Poly-urethane coating is applied to all chassis components to prevent rust, scratches and corrosion. Custom colors are optional.

### SPECIFICATIONS:

Length.....	157.75 in / 400.9 cm
Width .....	54.75 in / 139.2 cm
Height (at top of steering wheel).....	49.75 in / 126.1 cm
Turning Radius .....	139 in / 353 cm
Wheel Base .....	81.25 in / 206.5 cm
Vehicle Speed, Empty .....	8 m.p.h. / 12.8 kph
Vehicle Speed, Loaded (To Max. Vehicle Capacity) .....	3.5 m.p.h. / 5.6 kph
**Lift Cradle Capacity .....	7000 lbs / 3175 kg
Nose Gear Cradle Lifting Height.....	9 in / 23 cm
Ground Clearance .....	5 in / 12.7 cm
Chassis Weight w/o Batteries & Charger .....	3240 lbs / 1470 kg
Chassis Weight w/ Motive Batteries & Charger....	4705 lbs / 2134 kg
Chassis Weight w/ Motive & GPU Batteries & Charger ..	5055 lbs / 2293 kg

\*\*Lift Capacity is calculated with 18 in / 46 cm diameter aircraft tire in lift cradle. Aircraft tire center line at 20.5 / 52 cm from drive tire center line.

### ADDITIONAL OPTIONS:

Pintle Towing Hook, Specialized Aircraft Towing Adapters and Custom Highlift Adapters are available (consult factory). Illustration may show some optional equipment.

\*LEKTRO reserves the right to make changes and improvements in products and specifications without notice or obligation.

PATENT Nos. 5,151,003/5,302,075. Other Patents Pending. 03/09

# LEKTRO

1190 S.E. Flightline Drive, Warrenton, Oregon 97146-9692  
 1-800-535-8767 • 503-861-2288 • Fax 503-861-2283  
 E-mail: sales@lektro.com  
 http://www.lektro.com

## Model AP8750C-EZ AIRCRAFT TOWING VEHICLE FOR AIRCRAFT UP TO 70,000 LBS/31,752 KG

