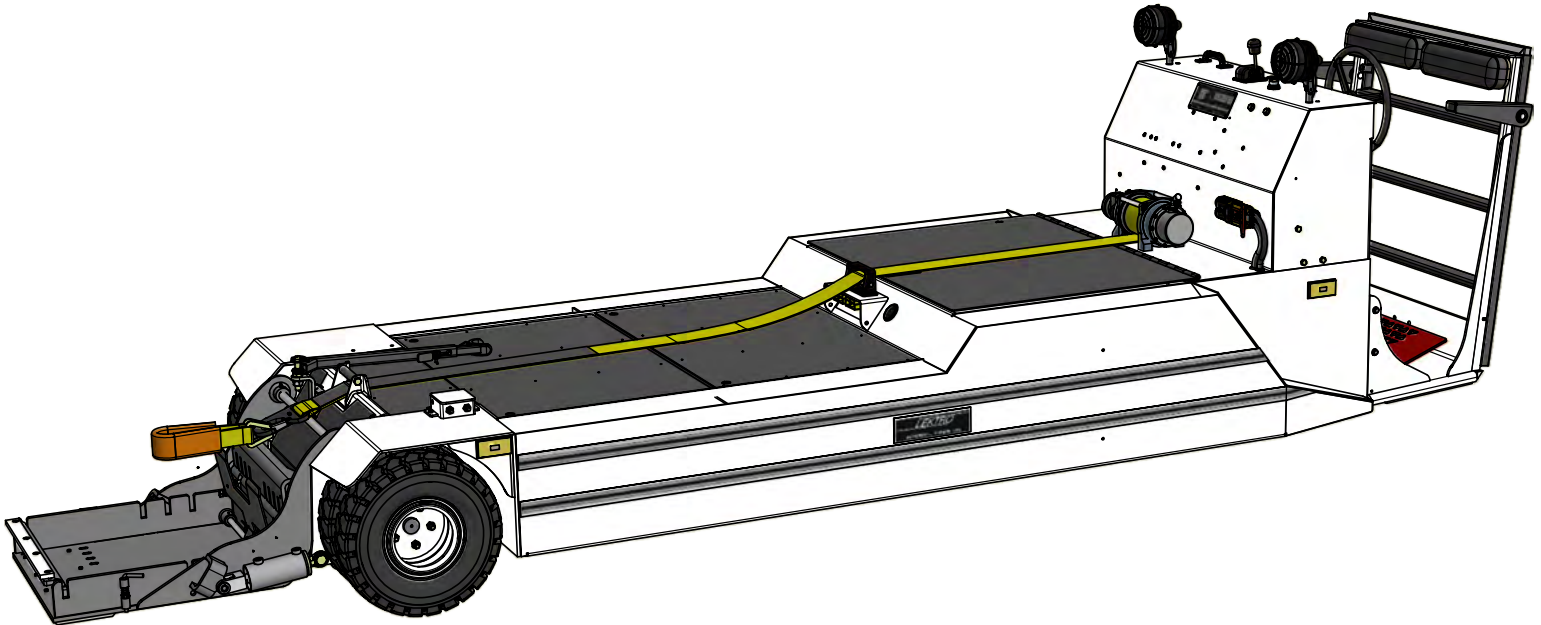


LEKTRO

1190 S.E. Flightline Drive, Warrenton, Oregon 97146-9692
1-800-535-8767 • 503-861-2288 • Fax 503-861-2283
E-mail: sales@lektro.com
http://www.lektro.com

Model AP8700CX AIRCRAFT TOWING VEHICLE FOR AIRCRAFT UP TO 60,000 LBS/27,216 KG



AP8700CX FEATURES:

Vehicle Drive: 30.9 HP/23.1 kW, 48 VDC Traction Motor mated with Auburn/Dana 44 Differential. Limited Slip Differential, optional.
Motor Speed Control: EV100ZX SCR with On-Board Diagnostics. Speed controlled by combination Hand Throttle/Directional Lever.
Batteries: Eight 6 VDC, 328 AMP-HR Batteries (6 hr rate), wired in series. Single Point Watering System, optional.
GPU: Built-in 12/24/28 VDC / 1374 CCA Motive/GPU Batteries. Independent 1175 CCA GPU Battery and Charging System, optional.
Motive Battery Charger: External Fully Automatic 50 AMP DC / 230 VAC / 50-60 Hz / 1-PH Charger.
Nose Gear Lift Cradle: Patented Universal Nose Gear Lift Cradle activated by an Electric/Hydraulic Pump Assembly capable of handling dual and single wheel aircraft, those with or without wheel fairings, and a Hold Down provision for light-nosed aircraft. Aircraft Selection System and Patented Torque Sensing Turntable Cradle Deck, optional.
Winch: Heavy-duty Hydraulic Winch with Automatic Safety Cut-Off. Winch and Strut Straps included.
Steering: Automotive-type Wheel coupled to an Automotive Gear Box resulting in very responsive steering action.
Service Brakes: Foot Operated Hydraulic Disc-Type Service Brakes at each Drive Wheel.
Parking Brake: Hand/Foot activated Electric Deadman Parking Brake.
Drive Tires: Dual 5.00 x 8 10-ply Pneumatic Traction Tread. Poly-Foam, Tire Socks and Chains, optional.
Steer Tires: Dual 5.00 x 8 10-ply Pneumatic Traction Tread. Poly-Foam and Steer Axle Suspension, optional.
Lighting: Dual 360° Rotating LED Spotlights mounted on Cowl, One Rear LED Headlight mounted on Back of Operator's Platform and Four Flashing Amber LED Running Lights.
Extension Ladder: Step Ladder attached to operator's back rest.
Operator's Compartment: Two person configuration, Stand-Up Operation with Restraint.

Construction: Welded Steel Plate and Polymers preserved by Primer and Automotive High-Gloss Red or White Enamel Paint with special protective Polyurethane Coating to prevent rust, scratches and corrosion. Custom colors, optional.

SPECIFICATIONS:

Length.....	190.4 in / 483.6 cm
Width	54.6 in / 138.7 cm
Height (at top of steering wheel).....	49.9 in / 126.7 cm
Turning Radius	171 in / 434 cm
Wheel Base	113.2 in / 287.5 cm
Vehicle Speed, Empty	7 MPH / 11.2 KPH
Vehicle Speed, Loaded (To max. Vehicle Capacity)	3 MPH / 4.8 KPH
**Lift Cradle Capacity	6000 LBS / 2722 KG
Nose Gear Cradle Lifting Height	9 in / 23 cm
Ground Clearance	5 in / 12.7 cm
Shipping Weight w/o Batteries & Charger	3170 LBS / 1438 KG
Shipping Weight w/ Motive Batteries & Charger	4400 LBS / 1996 KG
Shipping Weight w/ Motive & GPU Batteries & Charger..	4750 LBS / 2155 KG

**Lift Capacity is calculated with 18 in / 46 cm diameter aircraft tire in lift cradle. Aircraft tire center line at 20.5 in / 52 cm from drive tire center line.

ADDITIONAL OPTIONS:

Draw Bar Pin, Specialized Aircraft Towing Adapters and Custom Highlift Adapters are available (consult factory). Illustration may show some optional equipment.

*LEKTRO reserves the right to make changes and improvements in products and specifications without notice or obligation.

PATENT Nos. 5,151,003 / 5,302,075 / 9,067,691.
Other Patents Pending.

LEKTRO

1190 S.E. Flightline Drive, Warrenton, Oregon 97146-9692
1-800-535-8767 • 503-861-2288 • Fax 503-861-2283
E-mail: sales@lektro.com
http://www.lektro.com

Model **AP8700CX**
AIRCRAFT TOWING VEHICLE
FOR AIRCRAFT UP TO 60,000 LBS/27,216 KG

