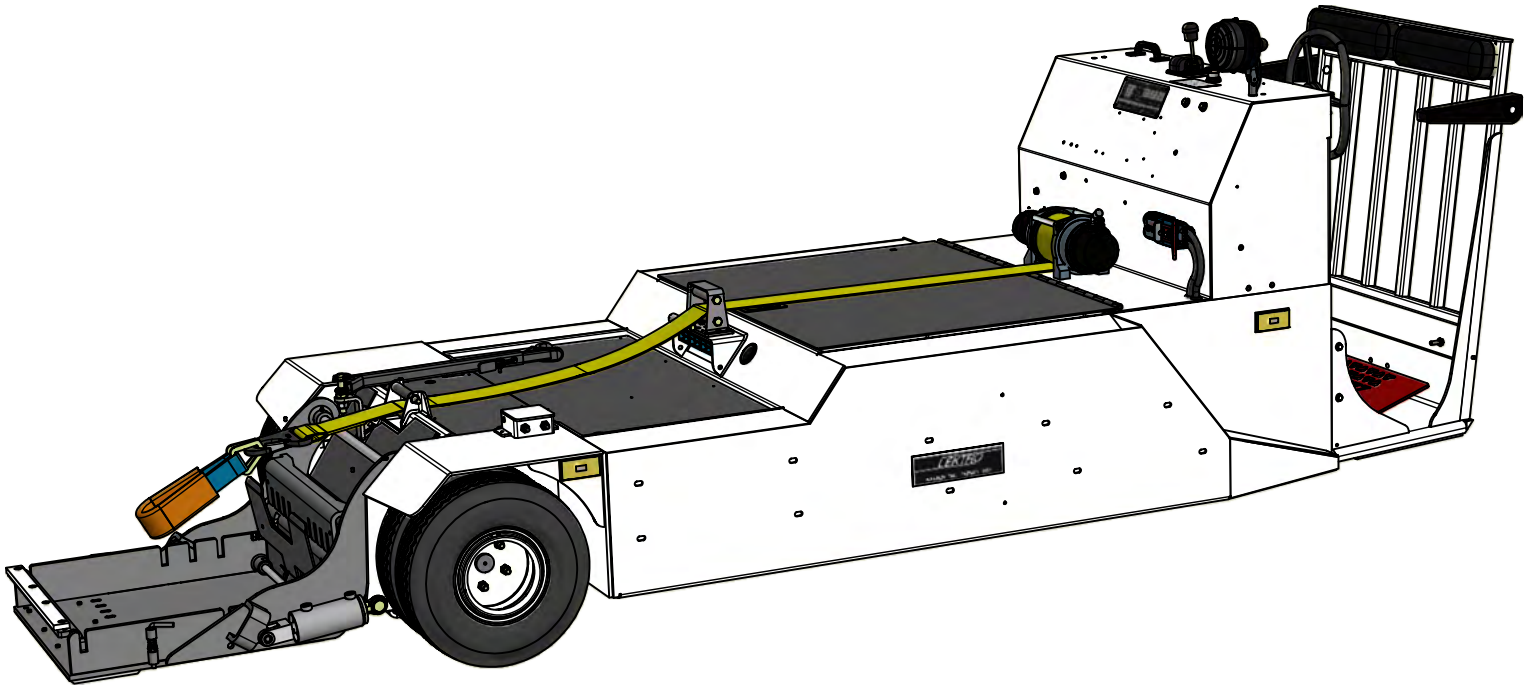


LEKTRO

1190 S.E. Flightline Drive, Warrenton, Oregon 97146-9692
1-800-535-8767 • 503-861-2288 • Fax 503-861-2283
E-mail: sales@lektro.com
http://www.lektro.com

Model AP8750C-EZ AIRCRAFT TOWING VEHICLE FOR AIRCRAFT UP TO 70,000 LBS/31,752 KG



AP8750C-EZ FEATURES:

Vehicle Drive: 33.1 HP/24.8 kW, 72 VDC Traction Motor mated with Auburn/Dana 44 Differential. Limited Slip Differential, optional.

Motor Speed Control: EV100ZX SCR with On-Board Diagnostics. Speed controlled by combination Hand Throttle/Directional Lever.

Batteries: Twelve 6 VDC, 328 AMP-HR Batteries (6 hr rate), wired in series. Single Point Watering System, optional.

GPU: Built-in 12/24/28 VDC / 1374 CCA Motive/GPU Batteries, optional. An Independent 12/24/28 VDC / 1175 CCA GPU Battery and Charging System also optional.

Motive Battery Charger: External Fully Automatic 40 AMP DC / 230 VAC / 50-60 Hz / 1-PH Charger.

Nose Gear Lift Cradle: Patented Universal Nose Gear Lift Cradle activated by an Electric/Hydraulic Pump Assembly capable of handling dual and single wheel aircraft. A Hold Down provision for light-nosed aircraft, Wheel Faring Package, Aircraft Selection System and Patented Torque Sensing Turntable Cradle Deck, optional.

Winch: Heavy-duty Hydraulic Winch with Automatic Safety Cut-Off. Winch and Strut Straps included.

Steering: Automotive-type Wheel coupled to an Automotive Gear Box resulting in very responsive steering action.

Service Brakes: Foot Operated Hydraulic Disc-Type Service Brakes at each Drive Wheel.

Parking Brake: Hand/Foot activated Electric Deadman Parking Brake.

Drive Tires: Dual 5.00 x 8 8-ply Pneumatic Highway Tread. Traction Tread, Poly-Foam, Tire Socks and Chains, optional.

Steer Tires: Dual 5.00 x 8 10-ply Pneumatic Traction Tread. Poly-Foam and Steer Axle Suspension, optional.

Lighting: Single 360° Rotating LED Spotlight mounted on Cowl and Five Amber Reflectors. 2nd LED Spotlight, Rear LED Headlight and Four Flashing Amber LED Running Lights, optional.

Extension Ladder: Step Ladder attached to operator's back rest, optional.

Operator's Compartment: Two person configuration, Stand-Up Operation with Restraint.

Construction: Welded Steel Plate and Polymers preserved by Primer and Automotive High-Gloss Red or White Enamel Paint with special protective Polyurethane Coating to prevent rust, scratches and corrosion. Custom colors, optional.

SPECIFICATIONS:

Length.....	158.2 in / 401.9 cm
Width.....	54.5 in / 138.4 cm
Height (at top of steering wheel).....	49.9 in / 126.6 cm
Turning Radius.....	139 in / 353 cm
Wheel Base.....	81.1 in / 205.9 cm
Vehicle Speed, Empty.....	8 MPH / 12.8 KPH
Vehicle Speed, Loaded (To max. Vehicle Capacity)...	3.5 MPH / 5.6 KPH
**Lift Cradle Capacity.....	7000 LBS / 3175 KG
Nose Gear Cradle Lifting Height.....	9 in / 23 cm
Ground Clearance.....	5 in / 12.7 cm
Shipping Weight w/o Batteries & Charger.....	3240 LBS / 1470 KG
Shipping Weight w/ Motive Batteries & Charger...	4705 LBS / 2134 KG
Shipping Weight w/ Motive & GPU Batteries & Charger...	5055 LBS / 2293 KG

**Lift Capacity is calculated with 18 in / 46 cm diameter aircraft tire in lift cradle. Aircraft tire center line at 20.5 / 52 cm from drive tire center line.

ADDITIONAL OPTIONS:

Draw Bar Pin, Specialized Aircraft Towing Adapters and Custom Highlift Adapters are available (consult factory). Illustration may show some optional equipment.

*LEKTRO reserves the right to make changes and improvements in products and specifications without notice or obligation.

PATENT Nos. 5,151,003 / 5,302,075 / 9,067,691.

Other Patents Pending.

LEKTRO

Model AP8750C-EZ AIRCRAFT TOWING VEHICLE FOR AIRCRAFT UP TO 70,000 LBS/31,752 KG

1190 S.E. Flightline Drive, Warrenton, Oregon 97146-9692
1-800-535-8767 • 503-861-2288 • Fax 503-861-2283
E-mail: sales@lektro.com
http://www.lektro.com

