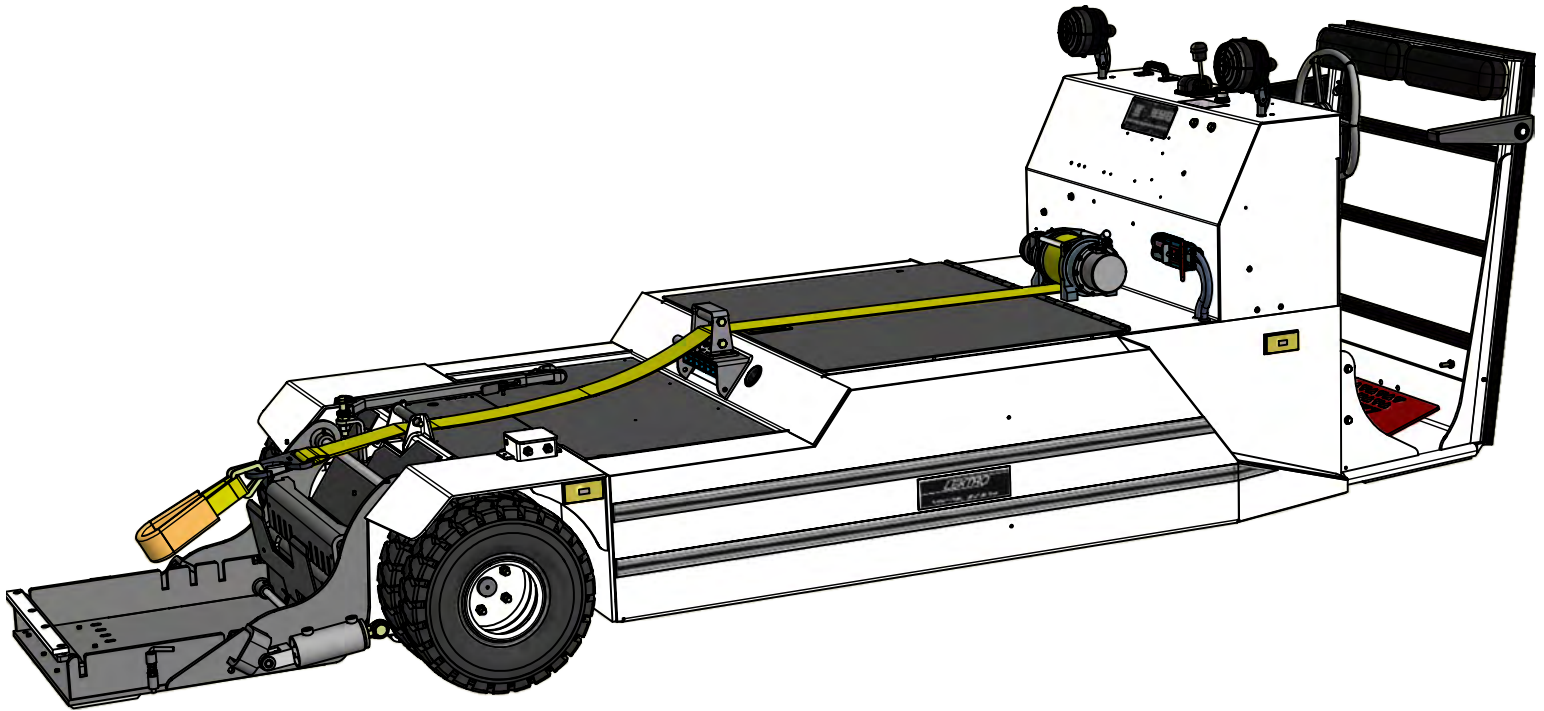


# LEKTRO

1190 S.E. Flightline Drive, Warrenton, Oregon 97146-9692  
1-800-535-8767 • 503-861-2288 • Fax 503-861-2283  
E-mail: sales@lektro.com  
http://www.lektro.com

## Model AP8750C AIRCRAFT TOWING VEHICLE FOR AIRCRAFT UP TO 70,000 LBS/31,752 KG



### AP8750C FEATURES:

**Vehicle Drive:** 33.1 HP/24.8 kW, 72 VDC Traction Motor mated with Auburn/Dana 44 Differential. Limited Slip Differential, optional.

**Motor Speed Control:** EV100ZX SCR with On-Board Diagnostics. Speed controlled by combination Hand Throttle/Directional Lever.

**Batteries:** Twelve 6 VDC, 328 AMP-HR Batteries (6 hr rate), wired in series. Single Point Watering System, optional.

**GPU:** Built-in 12/24/28 VDC / 1374 CCA Motive/GPU Batteries. Independent 1175 CCA GPU Battery and Charging System, optional.

**Motive Battery Charger:** External Fully Automatic 40 AMP DC / 230 VAC / 50-60 Hz / 1-PH Charger.

**Nose Gear Lift Cradle:** Patented Universal Nose Gear Lift Cradle activated by an Electric/Hydraulic Pump Assembly capable of handling dual and single wheel aircraft, those with or without wheel fairings, and a Hold Down provision for light-nosed aircraft. Aircraft Selection System and Patented Torque Sensing Turntable Cradle Deck, optional.

**Winch:** Heavy-duty Hydraulic Winch with Automatic Safety Cut-Off. Winch and Strut Straps included.

**Steering:** Automotive-type Wheel coupled to an Automotive Gear Box resulting in very responsive steering action.

**Service Brakes:** Foot Operated Hydraulic Disc-Type Service Brakes at each Drive Wheel.

**Parking Brake:** Hand/Foot activated Electric Deadman Parking Brake.

**Drive Tires:** Dual 5.00 x 8 10-ply Pneumatic Traction Tread. Poly-Foam, Tire Socks and Chains, optional.

**Steer Tires:** Dual 5.00 x 8 10-ply Pneumatic Traction Tread. Poly-Foam and Steer Axle Suspension, optional.

**Lighting:** Dual 360° Rotating LED Spotlights mounted on Cowl, One Rear LED Headlight mounted on Back of Operator's Platform and Four Flashing Amber LED Running Lights.

**Extension Ladder:** Step Ladder attached to operator's back rest.

**Operator's Compartment:** Two person configuration, Stand-Up Operation with Restraint.

**Construction:** Welded Steel Plate and Polymers preserved by Primer and Automotive High-Gloss Red or White Enamel Paint with special protective Polyurethane Coating to prevent rust, scratches and corrosion. Custom colors, optional.

### SPECIFICATIONS:

Length.....	159.7 in / 405.8 cm
Width .....	54.5 in / 138.4 cm
Height (at top of steering wheel).....	49.9 in / 126.9 cm
Turning Radius .....	139 in / 353 cm
Wheel Base .....	81.1 in / 205.9 cm
Vehicle Speed, Empty .....	6 MPH / 9.6 KPH
Vehicle Speed, Loaded (To max. Vehicle Capacity) ....	3.3 MPH / 5.4 KPH
**Lift Cradle Capacity .....	7000 LBS / 3175 KG
Nose Gear Cradle Lifting Height.....	9 in / 23 cm
Ground Clearance .....	5 in / 12.7 cm
Shipping Weight w/o Batteries & Charger .....	3240 LBS / 1470 KG
Shipping Weight w/ Motive Batteries & Charger .....	4750 LBS / 2155 KG
Shipping Weight w/ Motive & GPU Batteries & Charger ..	5100 LBS / 2313 KG

\*\*Lift Capacity is calculated with 18 in / 46 cm diameter aircraft tire in lift cradle. Aircraft tire center line at 20.5 / 52 cm from drive tire center line.

### ADDITIONAL OPTIONS:

Draw Bar Pin, Specialized Aircraft Towing Adapters and Custom Highlift Adapters are available (consult factory). Illustration may show some optional equipment.

\*LEKTRO reserves the right to make changes and improvements in products and specifications without notice or obligation.

PATENT Nos. 5,151,003 / 5,302,075 / 9,067,691.

Other Patents Pending.

# LEKTRO

1190 S.E. Flightline Drive, Warrenton, Oregon 97146-9692  
1-800-535-8767 • 503-861-2288 • Fax 503-861-2283  
E-mail: sales@lektro.com  
http://www.lektro.com

## Model AP8750C AIRCRAFT TOWING VEHICLE FOR AIRCRAFT UP TO 70,000 LBS/31,752 KG

