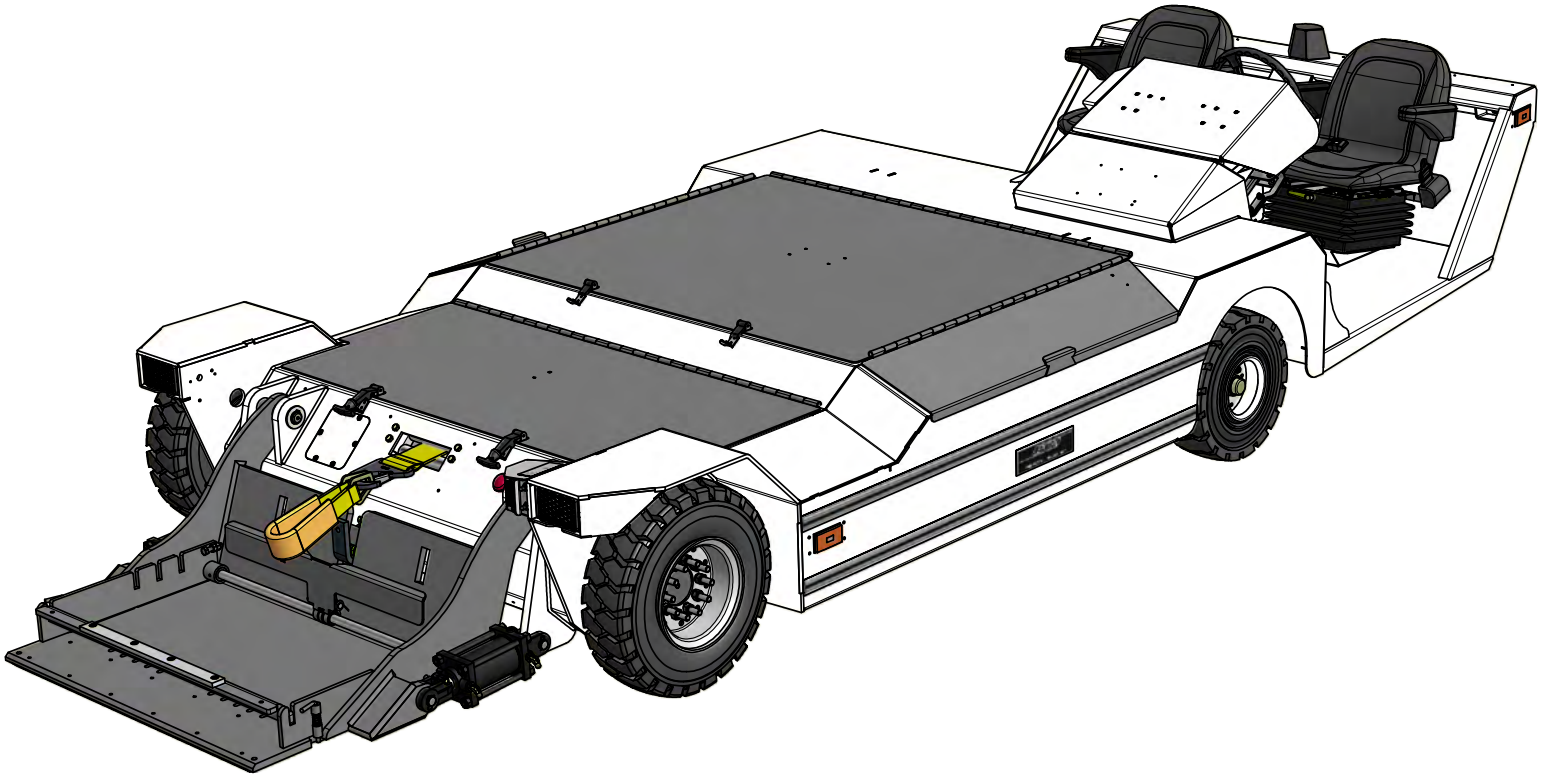


LEKTRO

1190 S.E. Flightline Drive, Warrenton, Oregon 97146-9692
1-800-535-8767 • 503-861-2288 • Fax 503-861-2283
E-mail: sales@lektro.com
http://www.lektro.com

Model **AP8800SDA** AIRCRAFT TOWING VEHICLE FOR AIRCRAFT UP TO 90,000 LBS/40,824 KG



AP8800SDA FEATURES:

Vehicle Drive: 33.1 HP/24.8 kW, 72 VDC Traction Motor mated with Auburn/Dana 44 Differential. Limited Slip Differential, optional.
Motor Speed Control: EVT1000LV IGBT with On-Board Diagnostics. Speed controlled by Foot Throttle.
Batteries: Six 12 VDC, 372 AMP-HR Batteries (6 hr rate), wired in series. Single Point Watering System, optional.
GPU: Built-in Independent 12/24/28 VDC / 1175 CCA Batteries and Charging System, optional.
Motive Battery Charger: External Fully Automatic 40 AMP DC / 230 VAC / 50-60 Hz / 1-PH Charger.
Nose Gear Lift Cradle: Patented Universal Nose Gear Lift Cradle activated by an Electric/Hydraulic Pump Assembly capable of handling dual and single wheel aircraft, and a Hold Down provision for light-nosed aircraft. Aircraft Selection System and Patented Torque Sensing Turntable Cradle Deck, optional.
Winch: Heavy-duty Hydraulic Winch with Automatic Safety Cut-Off. Winch and Strut Straps included.
Steering: Electric/Hydraulic Power Steering controlled through Automotive-type Tilt Wheel requiring minimal effort with very responsive steering action. Automatic Timer turns off power when tug not in use, increasing battery shift life.
Service Brakes: Foot Operated Hydraulic Disc-Type Service Brakes utilizing the final Wheel Drive Gearing to achieve maximum braking with minimal effort.
Parking Brake: Hand activated Electric Switch controlling Spring Applied/Hydraulic Released Calipers mounted on each Service Brake Disc.
Drive Tires: Single 6.50 x 10 10-ply Pneumatic Traction Tread. Siping, Poly-Foam, Tire Socks and Chains, optional.
Steer Tires: 5.00 x 8 10-Ply Pneumatic Traction Tread mounted to a Fully Suspended Steer Axle. Poly-Foam, optional.
Lighting: Dual Forward and Aft LED Headlights, Four Flashing Amber LED Running Lights and Amber Strobe Light mounted Center Rear. LED Brake Lights/Turn Signals, optional.

Operator's Compartment: Operator and Passenger Seats, Forward Facing, Premium Grade including Armrests (Available in Black or Light Gray). Operator's Seat features a Fully Suspended, Adjustable setting for height, fore/aft and weight. Seat Belts, Dual Facing Operator's Helm and Cab with Heater, Defroster, and Windshield Wipers, optional.
Camera and Monitors: Camera at Aircraft Interface Area, with Color Monitors at "A" and "B" Station, optional.
Construction: Welded Steel Plate and Polymers preserved by Primer and Automotive High-Gloss Red or White Enamel Paint with special protective Polyurethane Coating to prevent rust, scratches and corrosion. Steel Side Rub Rails and Custom colors, optional.

SPECIFICATIONS:

Length.....	207.9 in / 528.2 cm
Width.....	80 in / 203.2 cm
Height (at lowest steering tilt setting).....	37 in / 94 cm
Turning Radius.....	180 in / 457 cm
Wheel Base.....	92.2 in / 234.2 cm
Vehicle Speed, Empty.....	9 MPH / 14.5 KPH
Vehicle Speed, Loaded (To max. Vehicle Capacity).....	4 MPH / 6.4 KPH
**Lift Cradle Capacity.....	9,000 LBS / 4082 KG
Nose Gear Cradle Lifting Height.....	9 in / 23 cm
Ground Clearance.....	5 in / 12.7 cm
Shipping Weight w/o Batteries & Charger.....	5330 LBS / 2418 KG
Shipping Weight w/ Motive Batteries & Charger.....	7100 LBS / 3221 KG
Shipping Weight w/ Motive & GPU Batteries & Charger.....	7450 LBS / 3379 KG

**Lift Capacity is calculated with 20 in / 51 cm diameter aircraft tire in lift cradle. Aircraft tire center line at 23" / 58 cm from drive tire center line.

ADDITIONAL OPTIONS:

Draw Bar Pin, Specialized Aircraft Towing Adapters and Custom Highlift Adapters are available (consult factory). Illustration may show some optional equipment.

*LEKTRO reserves the right to make changes and improvements in products and specifications without notice or obligation.

PATENT Nos. 5,151,003 / 5,302,075 / 9,067,691.

Other Patents Pending.

LEKTRO

1190 S.E. Flightline Drive, Warrenton, Oregon 97146-9692
 1-800-535-8767 • 503-861-2288 • Fax 503-861-2283
 E-mail: sales@lektro.com
 http://www.lektro.com

Model AP8800SDA AIRCRAFT TOWING VEHICLE FOR AIRCRAFT UP TO 90,000 LBS/40,824 KG

