

LEKTRO

Model **AP8850SDA-EZ**

AIRCRAFT TOWING VEHICLE

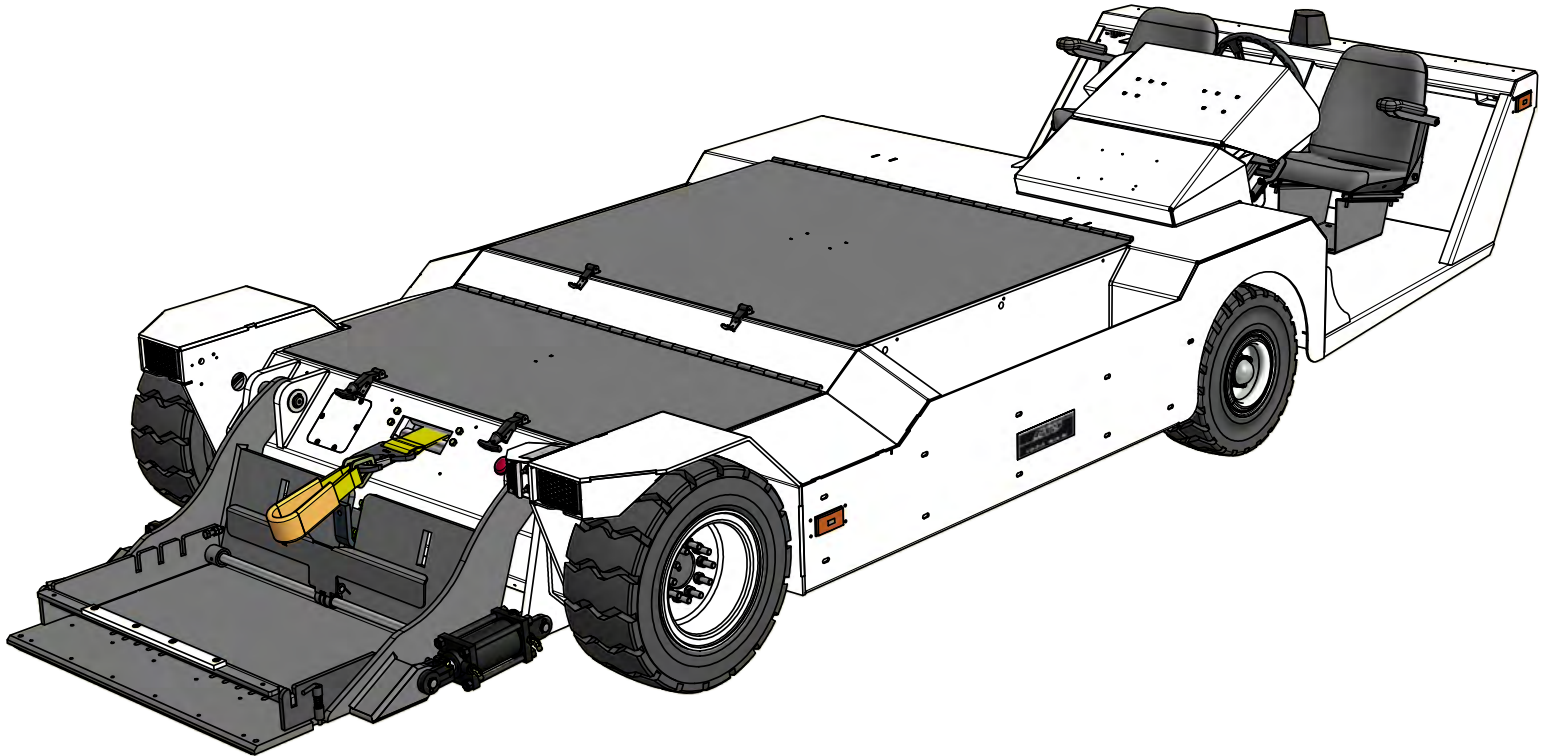
FOR AIRCRAFT UP TO 120,000 LBS/54,432 KG

1190 S.E. Flightline Drive, Warrenton, Oregon 97146-9692

1-800-535-8767 • 503-861-2288 • Fax 503-861-2283

E-mail: sales@lektro.com

http://www.lektro.com



AP8850SDA-EZ FEATURES:

Vehicle Drive: 45.3 HP/33.8 kW, 72 VDC Traction Motor mated with Auburn/Dana 44 Differential. Limited Slip Differential, optional.

Motor Speed Control: EVT1000LV IGBT with On-Board Diagnostics. Speed controlled by Foot Throttle.

Batteries: Six 12 VDC, 372 AMP-HR Batteries (6 hr rate), wired in series. 440 AH, 550 AH and Single Point Watering System, optional.

G.P.U.: Built-in Independent 12/24/28 VDC / 1175 CCA Batteries and Charging System, optional.

Motive Battery Charger: External Fully Automatic 40 AMP DC / 230 VAC / 50-60 Hz / 1-PH Charger.

Nose Gear Lift Cradle: Patented Universal Nose Gear Lift Cradle activated by an Electric/Hydraulic Pump Assembly capable of handling dual and single wheel aircraft. A Hold Down provision for light-nosed aircraft, Aircraft Selection System and Patented Torque Sensing Turntable Cradle Deck, optional.

Winch: Heavy-duty Hydraulic Winch with Automatic Safety Cut-Off. Winch and Strut Straps included.

Steering: Electric/Hydraulic Power Steering controlled through Automotive-type Tilt Wheel requiring minimal effort with very responsive steering action. Automatic Timer turns off power when tug not in use, increasing battery shift life.

Service Brakes: Foot Operated Hydraulic Disc-Type Service Brakes utilizing the final Wheel Drive Gearing to achieve maximum braking with minimal effort.

Parking Brake: Hand activated Electric Switch controlling Spring Applied/Hydraulic Released Calipers mounted on each Service Brake Disc.

Drive Tires: Single 23 x 10 x 12 18-ply Pneumatic Traction Tread. Sping, Solid-Pneumatic Tires, Tire Socks and Chains, optional.

Steer Tires: 21 x 8-9 Solid-Pneumatic Traction Tread mounted to a Fully Suspended Steer Axle.

Lighting: Dual Forward LED Headlights and Four Amber Reflectors. Dual Aft LED Headlights, Amber Strobe Light mounted Center Rear, Four Flashing Amber LED Running Lights and LED Brake Lights/Turn Signals, optional.

Operator's Compartment: Welded Steel Plate and Polymers preserved by Primer and Automotive High-Gloss Red or White Enamel Paint with special protective Polyurethane Coating to prevent rust, scratches and corrosion. Steel Side Rub Rails and Custom colors, optional.

Camera and Monitors: Camera at Aircraft Interface Area, with Color Monitors at "A" and "B" Station, optional.

Construction: Welded Steel Plate and Polymers preserved by Primer and Automotive High-Gloss Red or White Enamel Paint with special protective Polyurethane Coating to prevent rust, scratches and corrosion. Custom colors, optional.

SPECIFICATIONS:

Length	207.9 in / 528.2 cm
Width	80.7 in / 205.1 cm
Height (At lowest steering tilt setting)	37 in / 94 cm
Turning Radius	180 in / 457 cm
Wheel Base	92.2 in / 234.2 cm
Vehicle Speed, Empty	9 MPH / 14.5 KPH
Vehicle Speed, Loaded (To max. Vehicle Capacity)	4 MPH / 6.4 KPH
**Lift Cradle Capacity	12,000 LBS / 5443 KG
Nose Gear Cradle Lifting Height	9 in / 23 cm
Ground Clearance	5 in / 12.7 cm
Shipping Weight w/o Batteries & Charger	5330 LBS / 2418 KG
Shipping Weight w/ Motive Batteries & Charger	8850 LBS / 4014 KG
Shipping Weight w/ Motive & GPU Batteries & Charger	9200 LBS / 4173 KG

**Lift Capacity is calculated with 20 in / 51 cm diameter aircraft tire in lift cradle. Aircraft tire center line at 23 in / 58 cm from drive tire center line.

ADDITIONAL OPTIONS:

Draw Bar Pin, Specialized Aircraft Towing Adapters and Custom Highlift Adapters are available (consult factory). Illustration may show some optional equipment.

*LEKTRO reserves the right to make changes and improvements in products and specifications without notice or obligation.

PATENT Nos. 5,151,003 / 5,302,075 / 9,067,691.

Other Patents Pending.

LEKTRO

Model AP8850SDA-EZ

AIRCRAFT TOWING VEHICLE
FOR AIRCRAFT UP TO 120,000 LBS/54,432 KG

1190 S.E. Flightline Drive, Warrenton, Oregon 97146-9692

1-800-535-8767 • 503-861-2288 • Fax 503-861-2283

E-mail: sales@lektro.com

http://www.lektro.com

